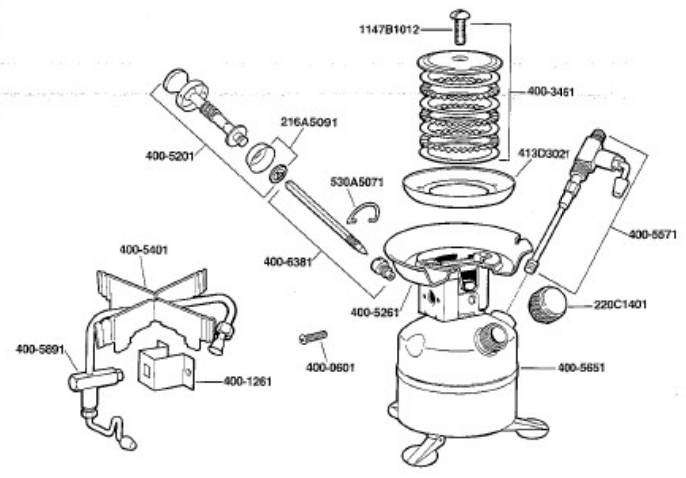


**How to Use and Enjoy Your
Lightweight Backpack Stove
Model 400-499**
U.S. PATENT NO. 3933416, 4126117

Parts List for Coleman Peak 1 Lightweight Backpack Stove Model 400-499



PART NUMBER	DESCRIPTION
1147B1012	Screw, Burner Cap
220C1401	Filler Cap
400-0601	Screw (Pkg. of 6)
400-1261	Generator Bracket
400-3451	Burner Ring Set
400-5201	Pump Plunger
400-5261	Burner Box Assembly
400-5401	Grate
400-5571	Valve Assembly
400-5651	Fount
400-5891	Generator & Regulator Assembly
400-6381	Air Stem & Check Valve
413D3021	Burner Bowl
530A5071	Clip for Pump Cap
216A5091	Pump Cut and Nut

Principles of Operation

The stove consists of four main components: The **TANK**, **PUMP**, **FUEL VALVE** and **GENERATOR**.

The **TANK** is designed to hold both the fuel and air. To avoid a fuel leak during lighting, an adequate air space **MUST** exist above the fuel level in the tank. Never overfill tank as this will decrease the needed air space. To avoid overfilling, **ALWAYS** fill stove on a level surface. Never tip stove on its side in an attempt to pour extra fuel in the tank.

The **PUMP** pressurizes the fuel tank. Opening the pump knob one turn allows air to be pumped past a check valve and into the air space above the fuel.

The **FUEL VALVE** controls the flow of fuel and air from the tank to the generator. This valve has three positions: "OFF", "LIGHT", and "RUN". The "OFF" position closes the fuel valve and prevents fuel flow. The purpose of the "LIGHT" position is to heat the generator sufficiently to vaporize fuel that is passing through it on the way to the burner. In the "LIGHT" position, both fuel and air from the tank pass through the fuel valve. As soon as the stove lights, it is important that additional air be pumped into the tank to replace the air that is passing through the fuel valve. Pump for at least **ONE FULL MINUTE**. Time your pumping so that you pump one stroke per second or about 60 strokes per minute.

After pumping for a minute, the generator will be hot enough to turn the fuel lever to "RUN". In the "RUN" position, fuel only passes through the fuel valve as air is no longer withdrawn from the tank.

The function of the **GENERATOR** is to absorb heat from the burner and vaporize the liquid fuel passing through the generator. Attached to the end of the generator is the flame adjustment mechanism. Moving the flame adjustment lever from "CLEAN" to "LIGHT/HI" moves a needle in and out of a small orifice in the end of the generator. The needle both cleans the orifice and regulates the flow of fuel. Always light the stove with the flame adjustment lever in the "LIGHT/HI" position so that the stove is delivering full heat output to the generator.

If you notice an intermittent yellow flame when operating at a low heat setting, move the flame adjustment lever to a slightly higher setting. This will increase the heat on the generator and eliminate the yellow flame.

The fuel valve lever and the flame adjustment lever pass through packing nuts into the valve bodies. Behind each packing nut is a packing, or gasket material. The purpose of the packings are to put tension on the levers so they don't move too easily and also to prevent fuel from leaking around the levers. If the levers loosen up from use or if a fuel leak should occur, tighten the packing nuts approximately one half turn.



Coleman Limited 1 Year Warranty

This product is warranted to the retail consumer for one year from date of retail purchase against defects in material and workmanship and is transferable. If a Customer Information Card is enclosed please return it so that we may reach you in the unlikely event that a safety recall is needed. Return is not required to validate this warranty.

WHAT IS COVERED: Replacement parts and labor. Transportation charges to Consumer for repaired Product.

WHAT IS NOT COVERED: Transportation charges to Coleman for defective Product. Damages caused by abuse or failure to perform normal maintenance — see owner's manual. Sales outside of the United States. Any other expense. Consequential damages, incidental damages, or incidental expenses, including damage to property. Some states do not allow the exclusion or limitation of incidental or consequential damages, so the above limitation or exclusion may not apply to you.

HOW TO OBTAIN WARRANTY PERFORMANCE: Locate nearest Coleman Service Center by calling 1-800-835-3278 TOLL FREE! Attach to Product your name, address, description of problem, phone number and proof of date of retail purchase (sales slip). Package and return Product to Coleman Service Center, transportation charges prepaid.

IMPLIED WARRANTIES: Any implied warranties, including the implied warranties of merchantability and fitness for a particular purpose, are limited in duration to one year from date of retail purchase. Some states do not allow limitations on how long an implied warranty lasts, so the above limitation may not apply to you.

To the extent any provision of this warranty is prohibited by federal, state, or municipal law and cannot be preempted, it shall not be applicable. This warranty gives you specific legal rights, and you may also have other rights which vary from state to state.

THE COLEMAN COMPANY, INC. 445 N. Minnesota Wichita, Kansas 67214

Made in United States of America
THE COLEMAN COMPANY, INC.
General Office and Factory: Wichita, Kansas U.S.A. 67201
Canadian Office and Factory: Toronto, Canada

1980A391 (10-80) LITHO IN U.S.A.

Other Peak 1 Products and Accessories



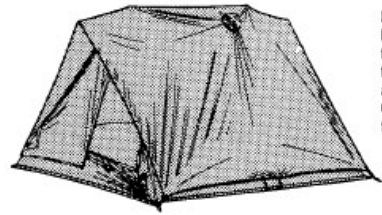
Model 770 Double Compartment, Five Pocket Pack. Made of CorduraTM nylon, it comes with a detachable fanny pack that adds 400 cubic inches of storage. The Flexible Live-LoadSM frame firmly supports your load.



Model 720 Single Compartment Day Sack. Ideal size for many trips and perfect fit for binders and books. Haul strap comes standard.



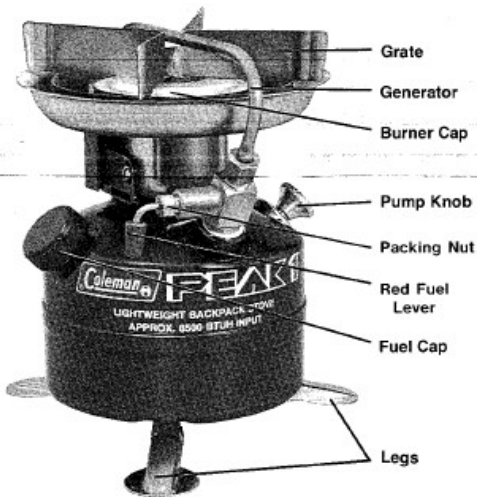
Peak 1SM Sleeping Bags. Choose from four models in two configurations, mummy or taper — all filled with DuPont DacronSM HollofilSM II. Cover and lining are ripstop nylon for superior wear. All bags are machine washable.



Peak 1SM Two- and Four-man Tents are light-weight, rugged, and give unusually roomy trail protection. Although they are completely free-standing, both grommeted nylon straps and loops are provided for additional stability. One man can erect either model in less than five minutes.



Filtering Funnel, 199B-1111, aluminum with strainer and filtering fabric. Removes water, dirt, impurities from fuel. Replacement Filter 199-1091.



1 Follow Instructions and Warnings To Avoid Possible Injury or Property Damage.

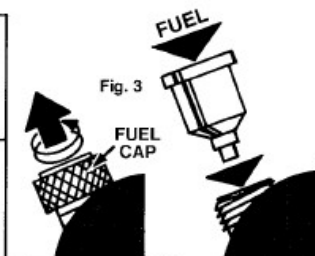
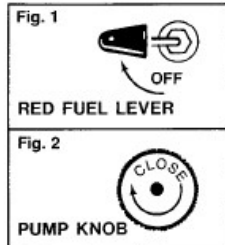
WARNING:

1. This stove consumes air (oxygen). Do not use in unventilated areas. Ample ventilation must be provided to avoid endangering your life. Provide additional ventilation for persons and other fuel burning appliances occupying the same enclosed area.
2. When stove is in use, all metal parts of burner assembly and controls become extremely hot. **DO NOT TOUCH.**
3. Fuel for your stove is extremely flammable. Use the same care as when using gasoline.
4. Never fill or light stove inside house, camper, or tent.
5. Never fill tank, loosen or remove fuel cap while stove is near flame, other heat sources or while stove is hot to the touch.
6. Use only Coleman fuel or clean, fresh, white gas. Never use fuel containing lubricating oils, lead compounds, or other metallic compounds. Some unleaded automotive fuels contain metallic compounds.
7. Store fuel in a clean, properly marked, metal container. Use and store away from flame (including pilot lights) or excessive heat.
8. Never allow tents, sleeping bags, clothing or any flammable material to come within three feet of the top and one foot of all sides of the stove.
9. Never place heavy or large capacity utensils on stove. Never alter stove in any way or use with any device or part not expressly approved by Coleman. Never use as a space heater. Never leave stove unattended while burning.
10. Never pump the stove while a utensil is on it.
11. Keep out of reach of children.

2 To Fill Tank

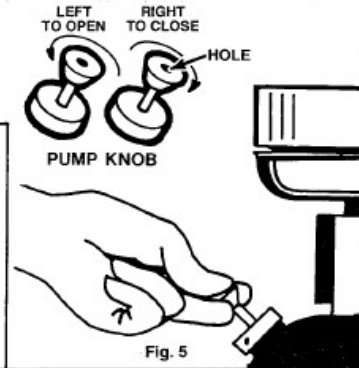
NEVER FILL OR LIGHT STOVE INSIDE HOUSE, CAMPER, OR TENT.

1. Extend feet and place stove on a smooth, level surface.
2. Move the **RED FUEL LEVER** to the OFF position. (Fig. 1)
3. Close **PUMP KNOB** firmly. Turn in direction of arrow on pump knob. (Fig. 2)
4. Remove **FUEL CAP**. Use a funnel or suitable filling device and fill with clean, fresh fuel. **DO NOT TIP STOVE.** (Fig. 3)
5. Replace **FUEL CAP** on stove and on fuel container. Tighten firmly. Move fuel container away from stove **WIPE UP ANY SPILLED FUEL AND DISPOSE OF IN A SAFE PLACE.**



3 To Pump

1. Make sure **RED FUEL LEVER** is in the OFF position. (Fig. 4)
2. Open **PUMP KNOB** one turn.
3. With thumb over hole in **PUMP KNOB**, pump approximately 25 full strokes.
4. Close **PUMP KNOB** firmly.



4 To Light

For Temperatures below freezing, see note below.

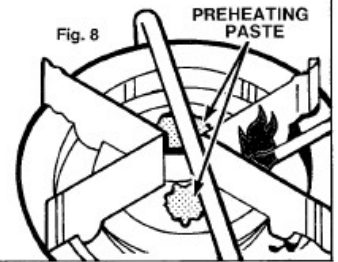
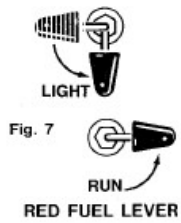
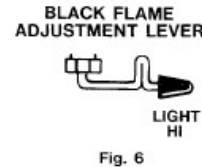
1. Place stove on a smooth, LEVEL surface.
2. Move **BLACK FLAME ADJUSTMENT LEVER** to the "LIGHT/HI" position. (Fig. 6)
3. First hold lighted match at burner and THEN turn **RED FUEL LEVER** straight down to "LIGHT". (Fig. 7)
4. As soon as burner lights, open **PUMP KNOB** one turn and pump for ONE FULL MINUTE (60 pumps). Close **PUMP KNOB**.

CAUTION: If fuel or flames appear below burner, immediately turn **RED FUEL LEVER** "OFF". Allow stove to cool. Turn stove upside down to empty any fuel that accumulated in the burner. Wipe dry. Carefully review instructions before re-lighting stove.

5. Turn **RED FUEL LEVER** to "RUN". (Fig. 7)

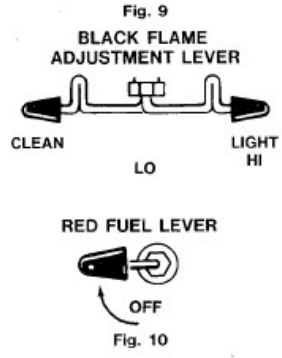
6. Adjust flame to desired heat with **BLACK FLAME ADJUSTMENT LEVER**. Additional pumping may be required for full heat output.

NOTE: IN TEMPERATURES BELOW FREEZING PREHEATING IS REQUIRED. Place generous amount of preheating paste on burner cap beneath the generator (Fig. 8). Light the paste. After the paste is almost consumed, follow the above lighting instructions.



5 To Turn Off

1. Move **BLACK LEVER** from CLEAN to HI several times. Leave lever in HI position (Fig. 9)
2. Latch **RED LEVER** in OFF position. (Fig. 10)



Things You Should Know

- **PREHEATING PASTE** is available at most stores that sell backpacking equipment.
- To reduce the possibility of rust and corrosion, flush tank and refill frequently with fresh fuel.
- During operation for an extended period at a low heat setting, you may notice an intermittent yellow flame. This can be corrected by adjusting the flame to a slightly higher level with the **BLACK LEVER**.
- Periodically check the tightness of the packings and if necessary, tighten the **PACKING NUTS** on the **RED** and **BLACK LEVERS** just enough to prevent leaks.
- Periodically squirt a few drops of oil into the oil hole in the **PUMP CAP**. This will keep the pump functioning properly.

